

Year 08 Weekly Tutorial - 15

mathsalpha.com

1. Solve $5 - \frac{2(3x-1)}{3} = \frac{x-5}{2}$

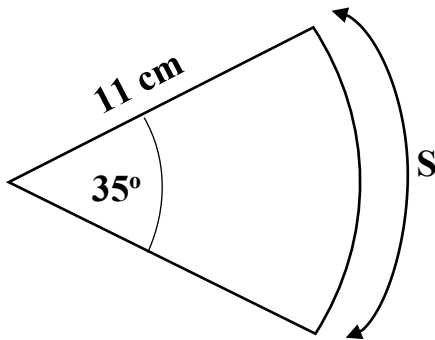
2. Solve $2x + 3 = 2y$
 $\frac{x + y}{2} = 5$

3. Make x the subject $\sqrt{x^2 - y} = y + 3$

4. Factorize fully $5x^2 - 45$

5. Solve by factorization $x^2 - 3 = \frac{x}{2}$

6.



a) Find arc length, S .

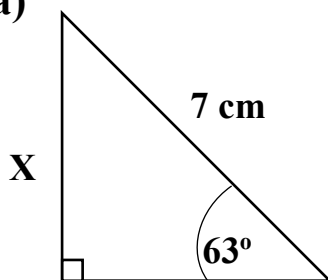
b) Find area of the sector.

(Give answers correct to 1dp)

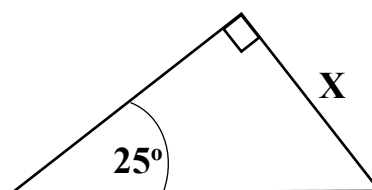
7. Find the equation of a straight line which passes through a point $(1, 2)$ and intersection points of line $2x - y = 3$ and $y = 3x$.

8. Find the unknown sides of the following triangles.

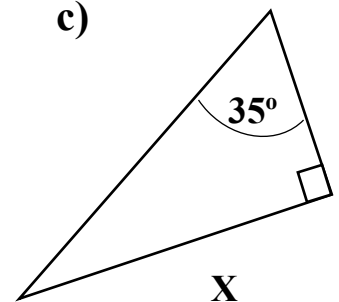
a)



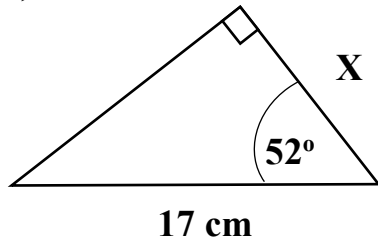
b)



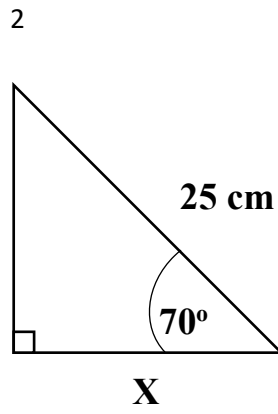
c)



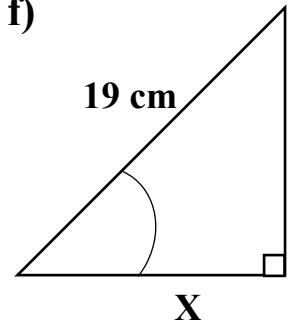
d)



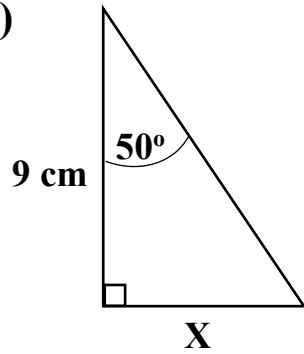
e)



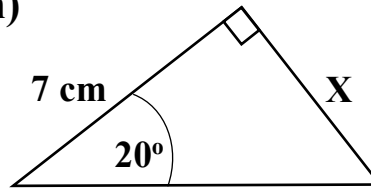
f)



g)



h)



i)

